



keyFibre

Customer Termination Box (CTB)/sockets

FM-CTB03-P-04

Description

KeyFibre's range of Customer Termination Boxes offers a range of termination possibilities. From our 4-way splicable box to our 1 or 2 way box, they are all designed primarily for SC Sx adapters, but will also accept anything with the same footprint such as LC Dx or hybrid adapters.

Designed in neutral white ABS plastic they sit comfortably on the wall next to standard sockets in any office or domestic environment.

These items are supplied empty or delivered with a kit together with adapters and pigtails of your choice (G657 A1, A2 available).



Characteristics

An attractive, wall-mountable solution for home or office environments, KeyFibre's FM-CTB03-P-04 offers a 4-way splicable box. Designed primarily for SC Sx adapters, it will also accept anything with the same footprint such as LC Dx or hybrid adapters. Máx. capacity: 4 fibers.

It is fully compatible with our SC Sx shuttered adapter.



Features

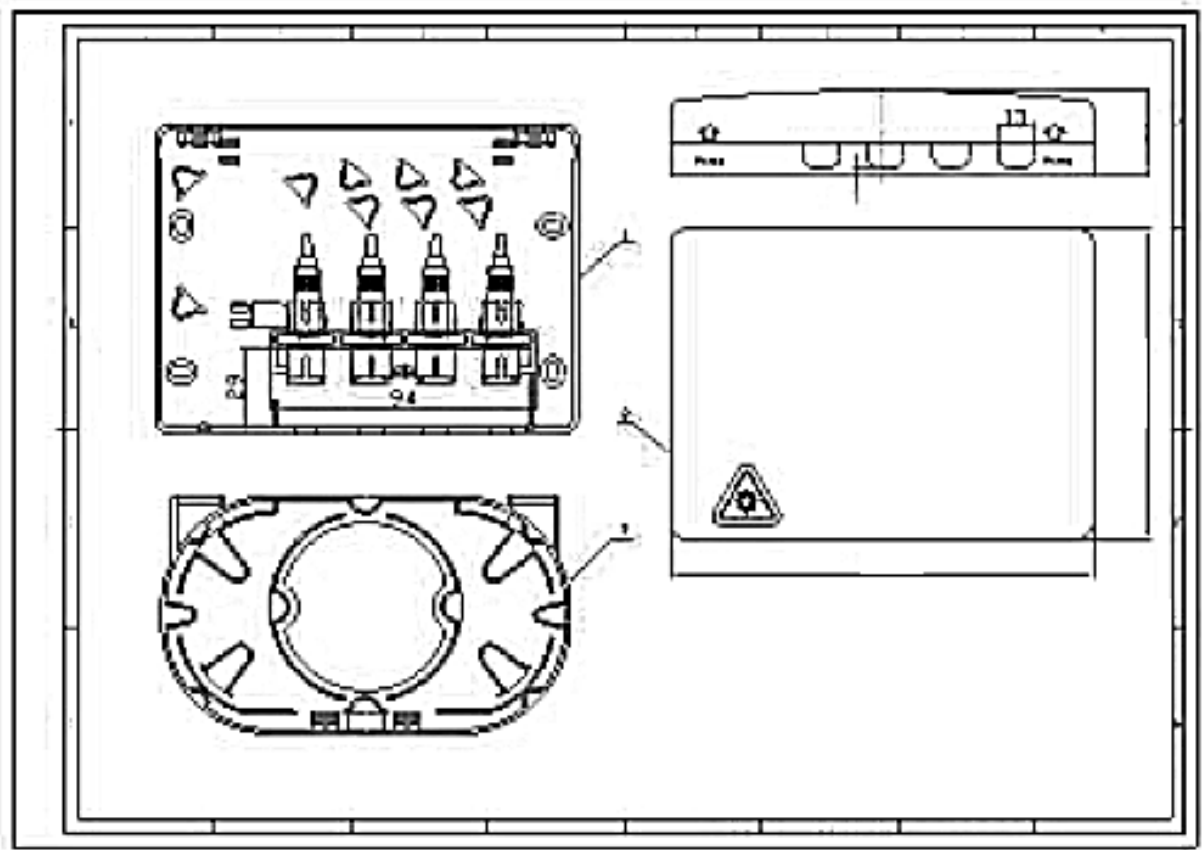
- Operating temp. -40°C +70°C
- Designed for SC optical fiber connection
- All bend radii respected
- Wall mounted
- Non-intrusive, neutral white ABS plastic blends into office and home environments



keyFibre

Customer Termination Box (CTB)/sockets

FM-CTB03-P-04



Specifications

- Size: 150x130x110mm
- Weight: 180gm

**KEYFIBRE NETWORK
COMPONENTS S.L.U.**

Corporate Headquarters:

PO Box 277
Villamarchante 94,
46190 Valencia SPAIN
Tel. +34 962 779 426
Fax +34 962 779 571
info@keyfibre.com

LEGAL NOTICE:

KeyFibre reserves the right to improve, enhance, and modify the features and specifications of KeyFibre' products without prior notification.

Key-Quick® is a registered trademark of KeyFibre Network Components S.L.U. (application in process)

The intellectual property of all contents, both text and pictures, published in this website belong to KeyFibre ® or their respective owners.

Prohibited the use and handling (total or partial) of our content in any media, including magazines, books and web pages, without the prior written permission of the ownership. KeyFibre reserve the right to take legal action against violators.

All rights reserved. Published in SPAIN. Issue 1 / May 2011