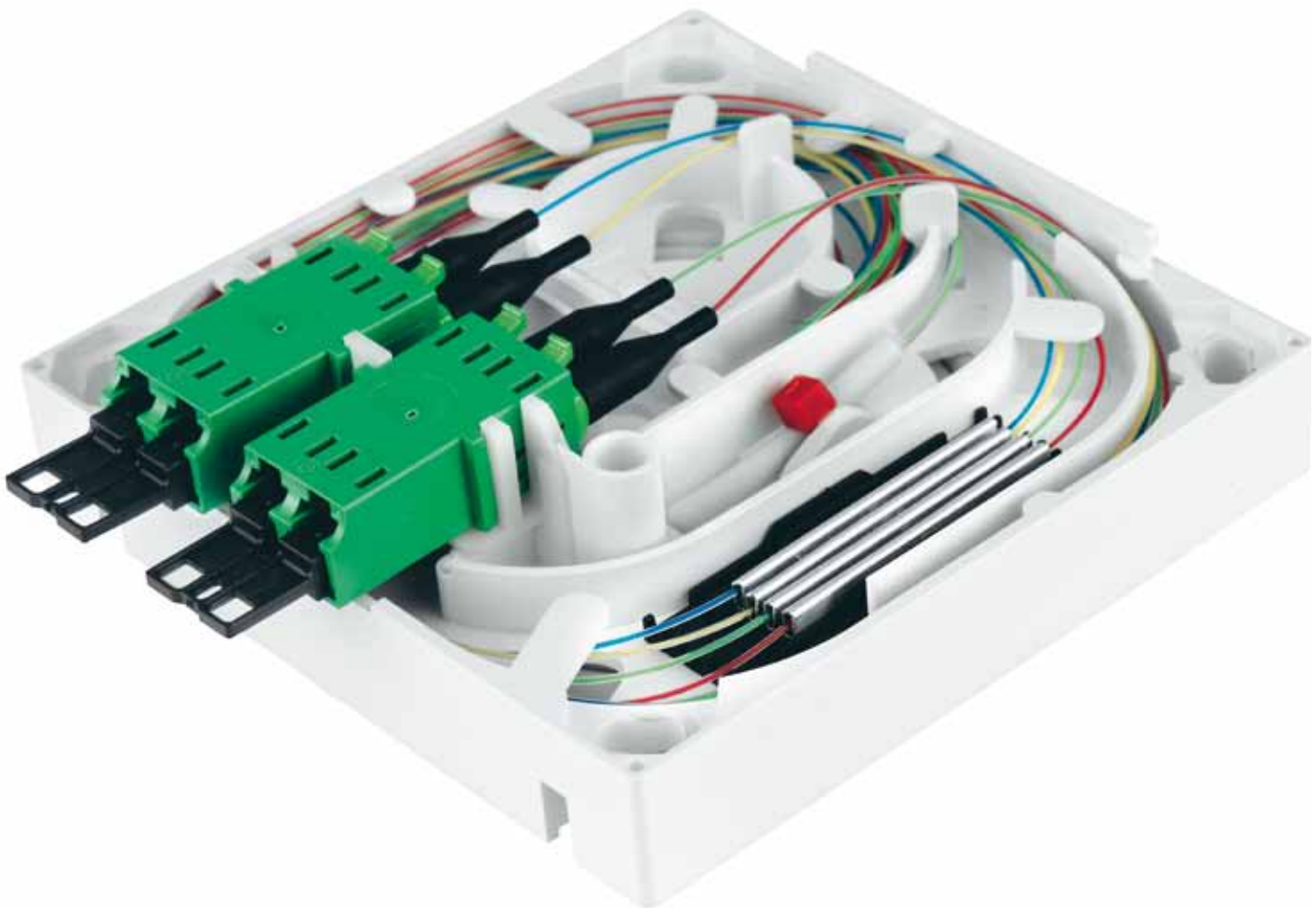


Optical Telecommunication Outlet



The Optical Telecommunication Outlet (OTO) is used for fiber-optic termination of the respective residential cabling. The junction box can generally accommodate between 1 and 4 detachable connectors as well as a certain length of bending radii-optimised dark fibers. Optical junction boxes also feature integrated laser protection, additional dust protection as well as optional access protection against unintentional pulling of the attached connecting cables. Surface and flush mounted installations are possible.



Optical Telecommunication Outlet

OptiSocket2

OptiSocket2 serves the termination of the individual residential cabling. The outlet takes up 1 to 4 connections as well as sufficient reserve of bend radius optimised fibers. The design of the fiber overlength management guarantees long-term stability for the fibers. Fatigue break shall not happen even not after 20 years being in place. An integrated laser protection plus an additional dust prevention as well as protection against unintended plug out of PatchCords are more features of the optical outlet. The flat surface mount design can also be used for flush mount installations.

Features

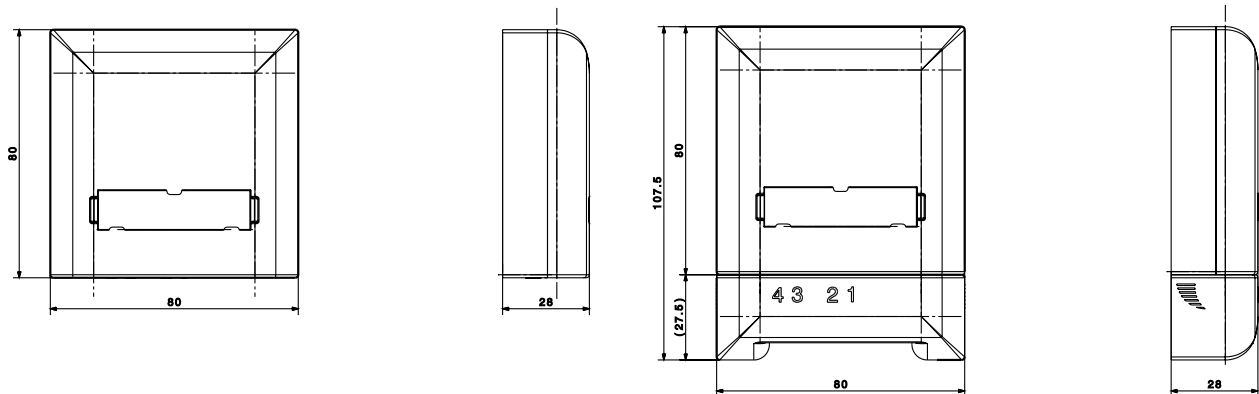
- Installation friendly, optical telecommunication outlet consisting of base, cover, adapter and mounting plate
- Fiber overlength management designed for low bend fibers with a secondary coating of 600 µm
- Accepts up to 2 adapters with SC format (LC, SC, LX.5)
- Adapters, respectively connector interfaces are dust and laser protected
- Radius protected fiber overlength management, minimum bend radius of 15 mm
- Up to 4 crimp- or fusion splices, storage of heatshrink or sandwich splice protectors
- All-side cable entry to break-out
- Outlets can be linked in serial
- Cover to be screwed on, screw can be sealed
- Possibility of cover labelling given
- Colour in pure white
- Patchcord locking features



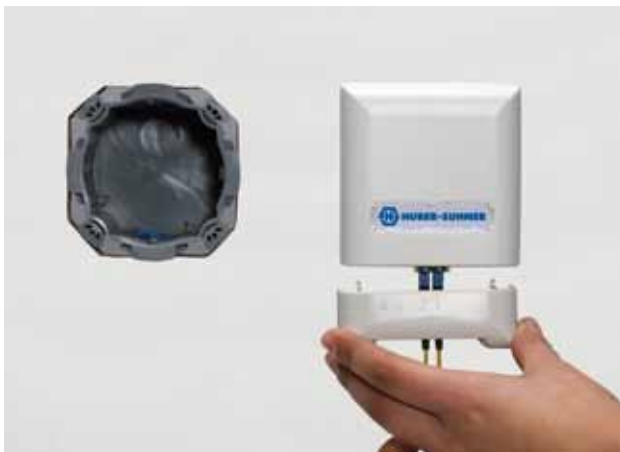
Optical Telecommunication Outlet

Technical data

Characteristics	Values
Dimensions (W × L × H)	80 x 80 x 28 mm
Capacity of detachable optical connections	4 x LC and LX.5 / 2 x SC
Way of adapter mounting	flange snapped-in
Dimension (Ø) cable entry to break-out	5.0 mm
Material: cover / base / Adapter plate mounting plate	PC steel, zinc plated
Colour	RAL 9010, pure white
Ingress protection degree (EN60529)	IP20
Flammability rating	UL 94V-0
Free of halogen	yes
Chemical resistance	good
RoHS requirements	comply



Patchcord locking feature



Optical Telecommunication Outlet

Order code for OptiSocket2

		Description
OTS	-	product line OptiSocket2
W		outlet type H+S global outlet type 1 (80x80 mm wall mount)
A		outlet version / model pure FO splicing
	1	outlet colour pure white
	0 -	child proof patchcord locking feature no protection cover
	1 -	with protection cover
	0	adaptor configuration no adapter
	1	1 adapter mounted
	2	2 adapters mounted
	0	no inner shuttered adapters
	1	with inner shuttered adapters
		adapter / connector type in outlet (Side A)
	73 73	SC-APC simplex (green)
	89 89	LC-APC duplex (green)
	89 U2	LC-APC / BLINK hybrid
		fiber configuration in outlet (side A) no terminated fiber
	1	1 x terminated fiber
	2	2 x terminated fibers
	4	4 x terminated fibers
	6LB	pigtail / cable type 600 µm tight buffered LowBend singlemode fiber
	00	cable length OTS assembled with pigtail
	00	fiber configuration in BEP (side B) no connector (or not applicable)
		splice protector configuration (Side A)
	S0	sandwich splice protection (protectors excluded)
	H0	heatshrink splice protection holder (type Ø 1.8x40 mm) protectors excluded
	H5	heatshrink splice protection holder (type Ø 2.6x45 mm) protectors excluded
	M0	holder for mechanical splices (mechanical splice excl.)
		product configuration
	O -	standard product configuration
	S -	specific product configuration
		performance class side A
	A	APC singlemode LAN ECO (standard)
	K	no connector
	K	no connector