



# keyFibre

MDU Solutions OTB (Indoor use)

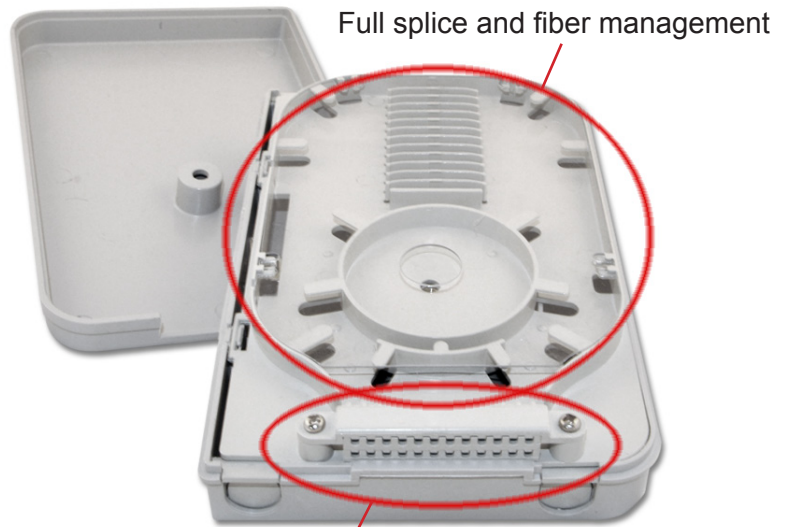
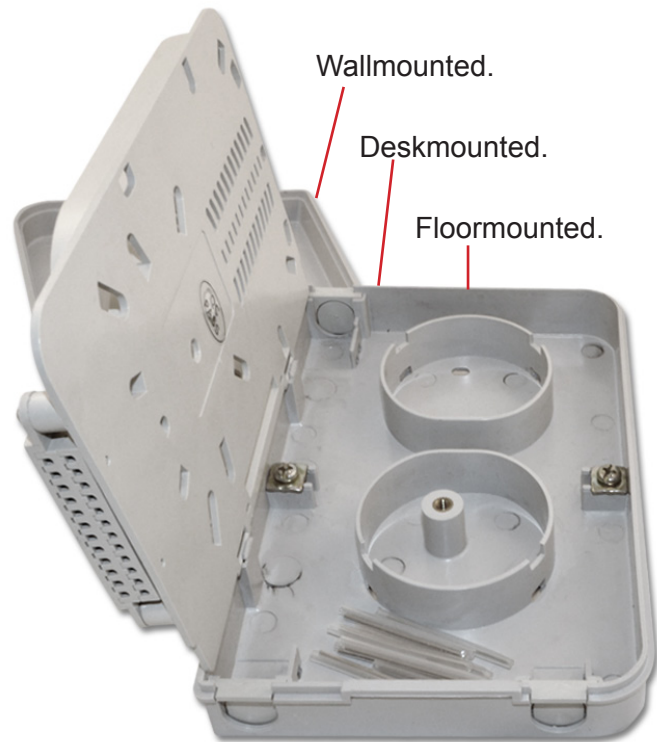
FM-OTBI-MDU-DB01-P-24

## Description

FM-OTBI-MDU-DB01-P-24 for 12 or 24FO FTTH MDU Floor Box is designed for the connection of optical fiber to pigtail whilst providing full splice and fiber management. The box is suitable for indoor use. May be wall-mounted, desk-mounted or floor-mounted as necessary.

## Features

- High-strength engineering plastic for long service life.
- Screw locked lid
- Operating space divided into two parts for the loop-through cable and pigtail splicing.
- Easy to instal and maintain.
- Bend radius in the tray is always  $\geq 30\text{mm}$



Up to 24 port for pigtail or loop cables.

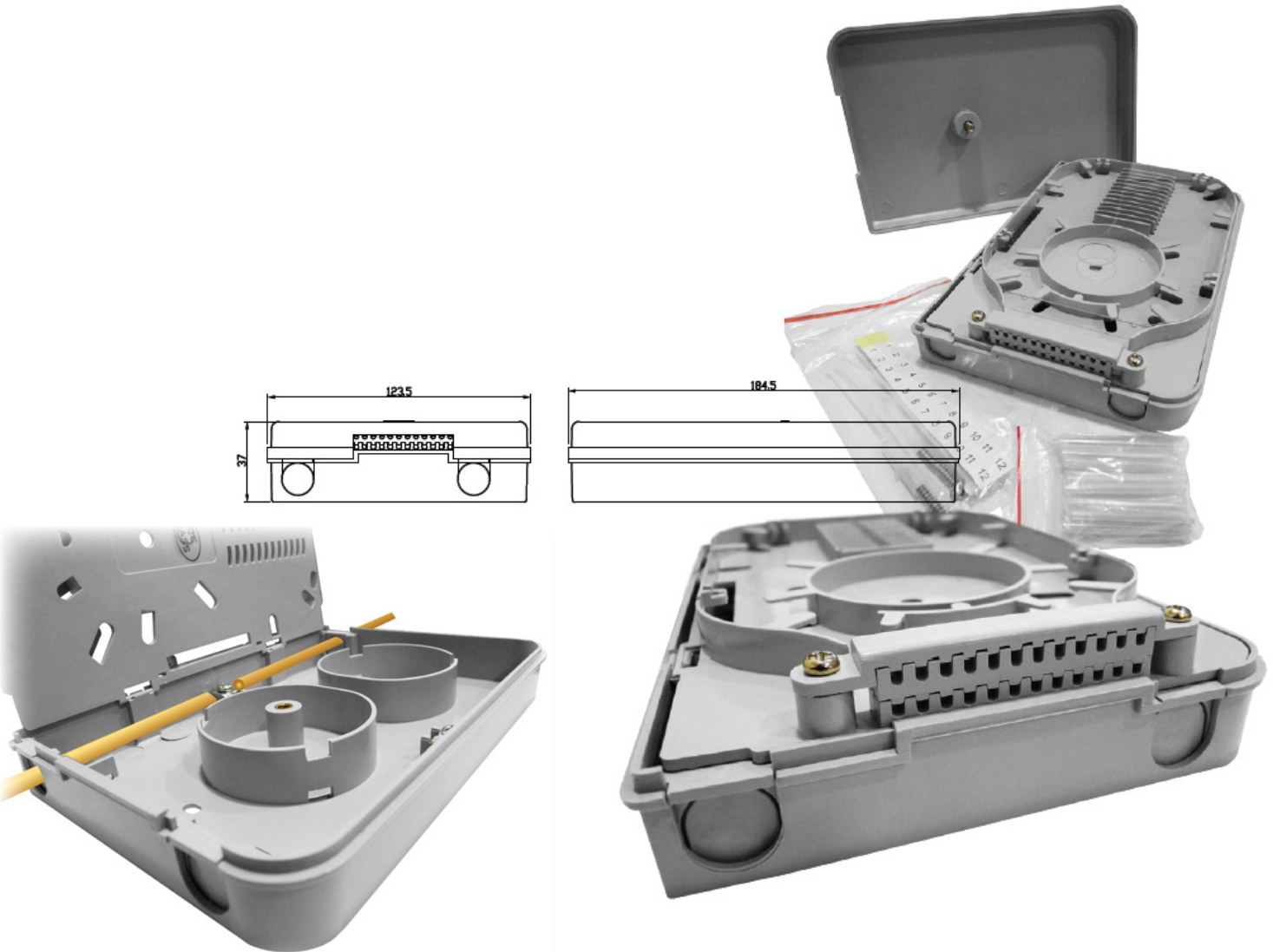
## Specifications

MODEL	SIZE (MM)	CABLE PORTS AND CABLE DIAMETER (MAX.MM)	SPLICE CAPACITY
FM-OTBI-MDU-DB01-P-24	127x184x37	3x $\varnothing$ 15 loop cables or branch cable. 24 ports for pigtail or drop cables	12f (single layer) 24f (double layer)



# keyFibre

MDU Solutions OTB (Indoor use)



**KEYFIBRE NETWORK  
COMPONENTS S.L.U.**

Corporate Headquarters:

PO Box 277  
Villamarchante 94,  
46190 Valencia SPAIN  
Tel. +34 962 779 426  
Fax +34 962 779 571  
info@keyfibre.com

**LEGAL NOTICE:**

KeyFibre reserves the right to improve, enhance, and modify the features and specifications of KeyFibre' products without prior notification.

Key-Quick® is a registered trademark of KeyFibre Network Components S.L.U. (application in process)

The intellectual property of all contents, both text and pictures, published in this website belong to KeyFibre® or their respective owners.

Prohibited the use and handling (total or partial) of our content in any media, including magazines, books and web pages, without the prior written permission of the ownership. KeyFibre reserve the right to take legal action against violators.

All rights reserved. Published in SPAIN. Issue 1 / May 2011